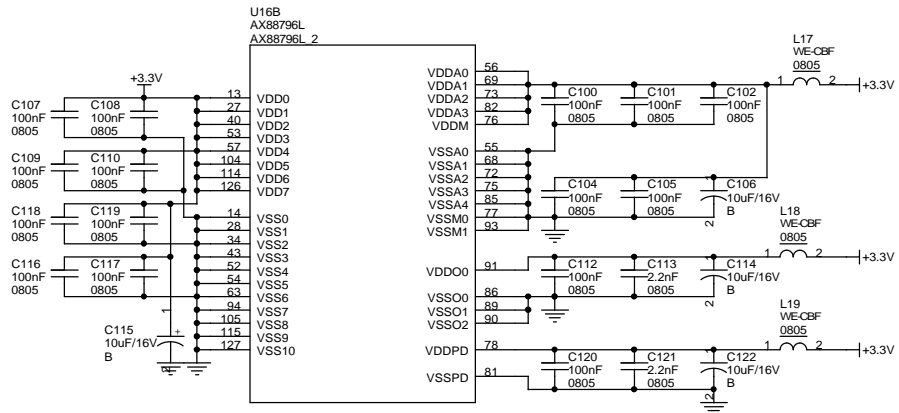
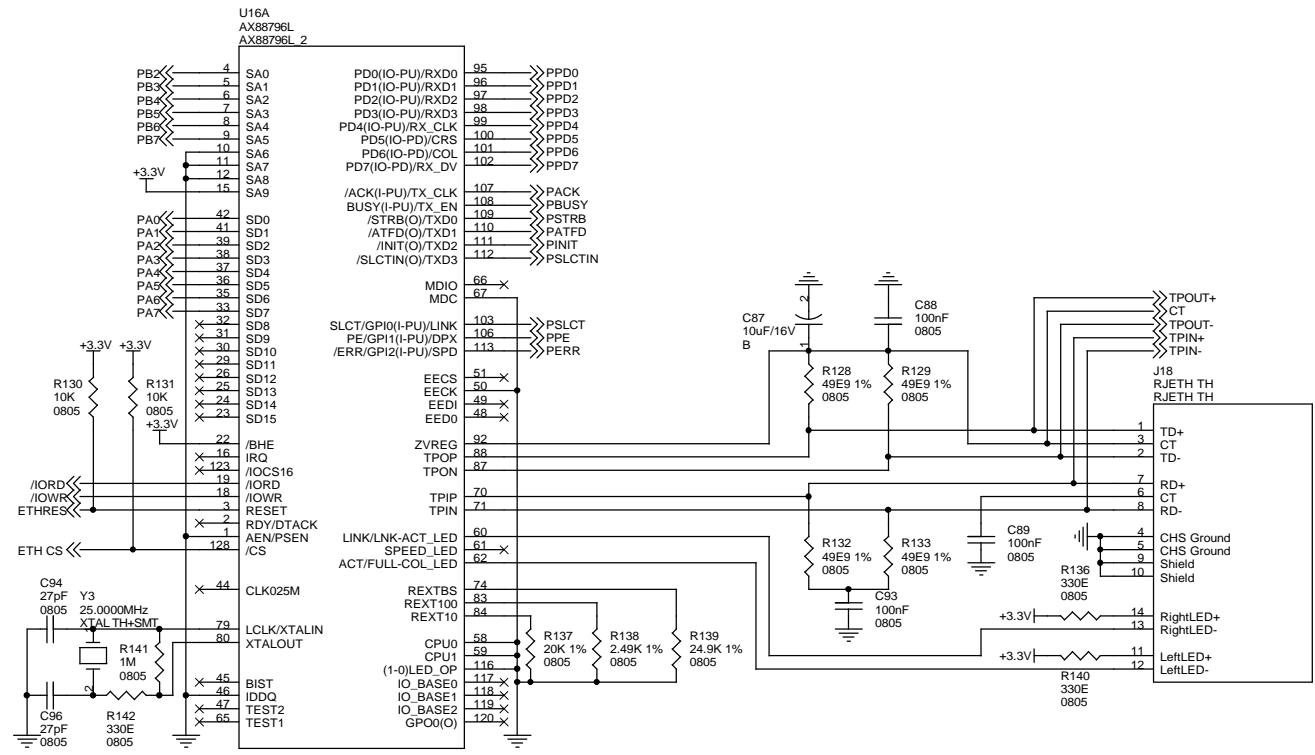
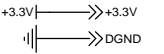
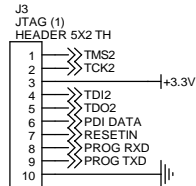
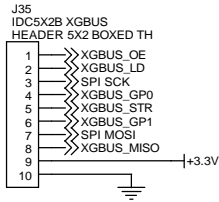
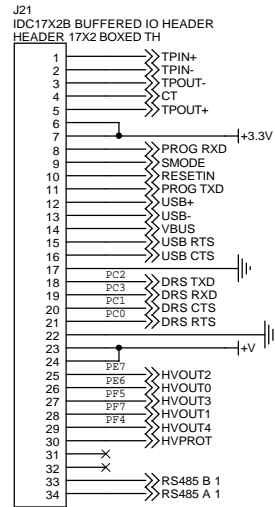
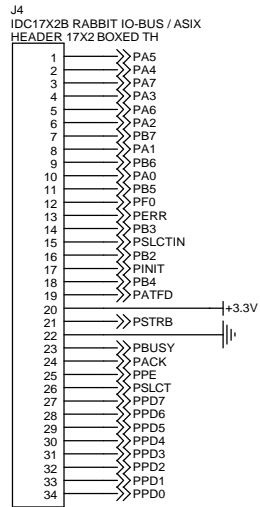
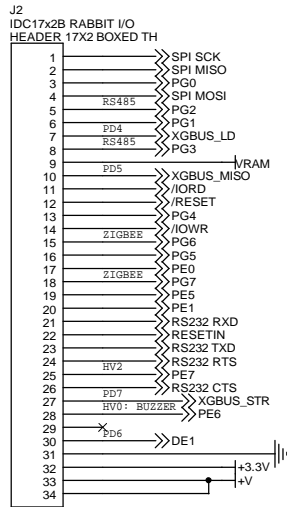
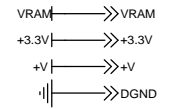


ETHERNET



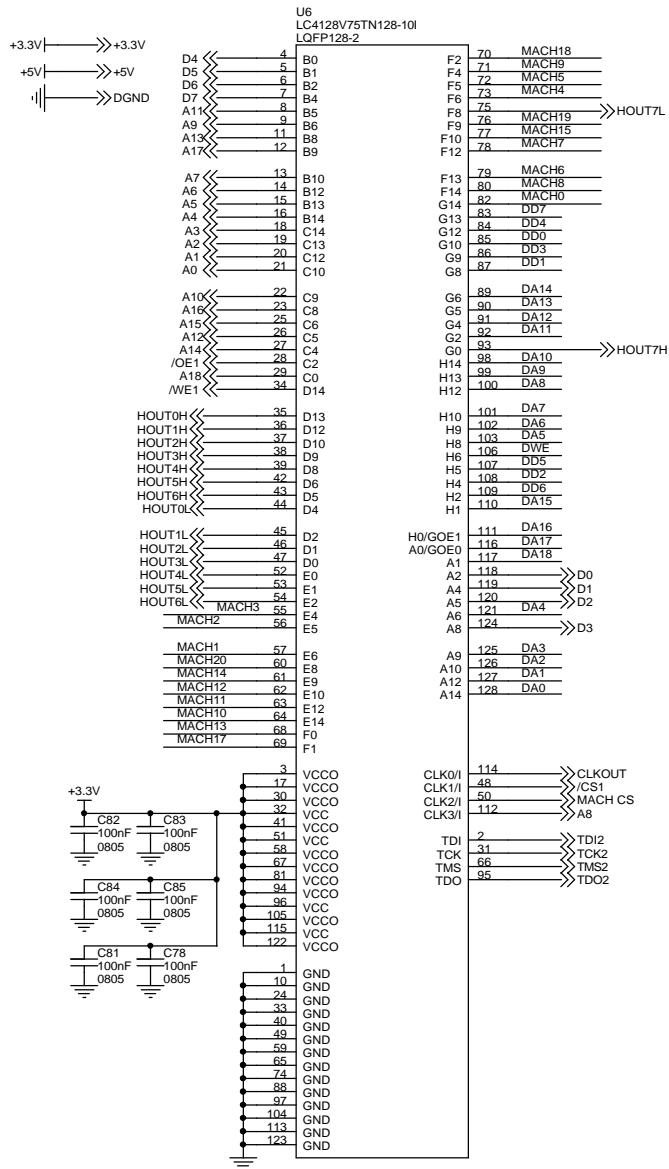
X-GRAPH (a DELCOMp trademark) Technologielaan 3 B-3001 Leuven Design by Rudi De Laet			
XG5000C045 / OP7300			
Size A3	CAGE Code	DWG NO XG5000C045-R3	Rev 1
Friday, January 08, 2010	Scale	Sheet 1 of 8	

# EXPANSION HEADERS

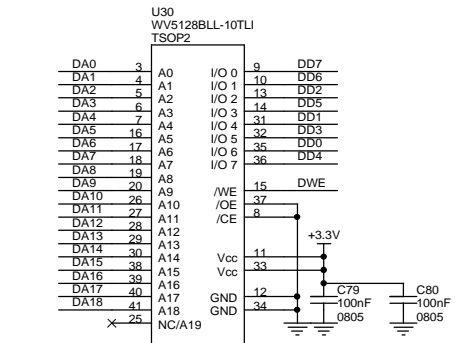


X-GRAPH (a DELCOMp trademark) Technologielaan 3 B-3001 Leuven Design by Rudi De Laet				Rev 1
Size A3	CAGE Code	DWG NO XG5000C045-R3		
Friday, January 08, 2010	Scale	Sheet 2	of 8	

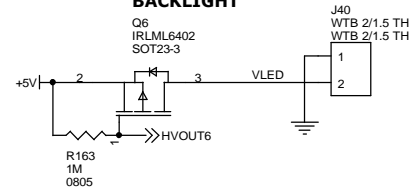
**LCD CONTROLLER**



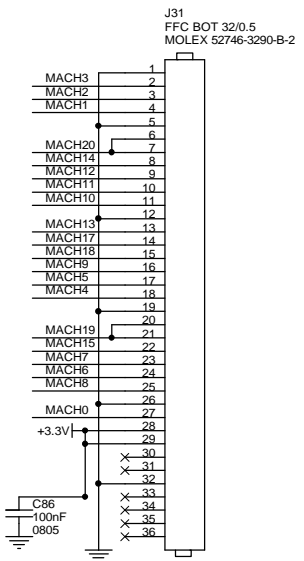
**VIDEO MEMORY**



**BACKLIGHT**

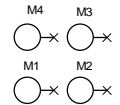
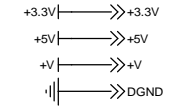
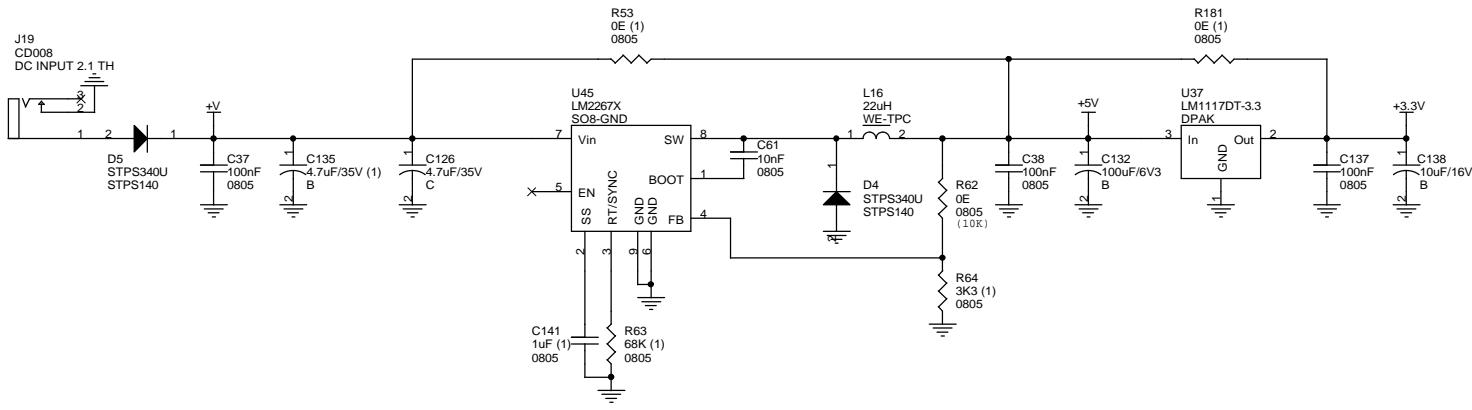


**TFT LCD**



X-GRAPH (a DELCOMp trademark) Technologielaan 3 B-3001 Leuven Design by Rudi De Laet		XG5000C045 / OP7300	
Size A3	CAGE Code	DWG NO XG5000C045-R3	Rev 1
Friday, January 08, 2010	Scale	Sheet 3 of 8	

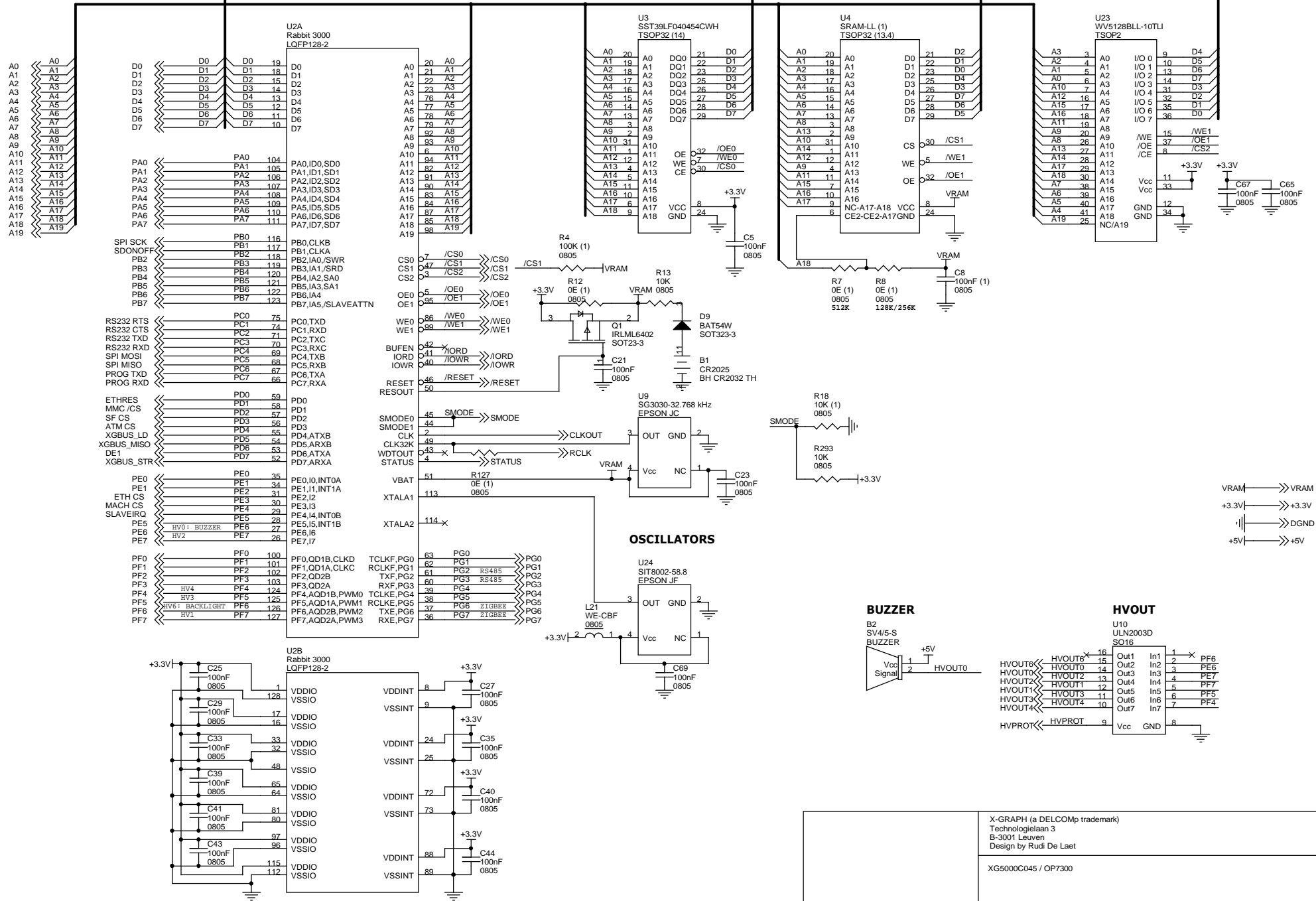
# POWER SUPPLY



		X-GRAPH (a DELCOMp trademark) Technologielaan 3 B-3001 Leuven Design by Rudi De Laet	
		XG5000C045 / OP7300	
Size A3	CAGE Code	DWG NO XG5000C045-R3	Rev 1
Friday, January 08, 2010	Scale	Sheet 4	of 8

RABBIT 3000A

MEMORY



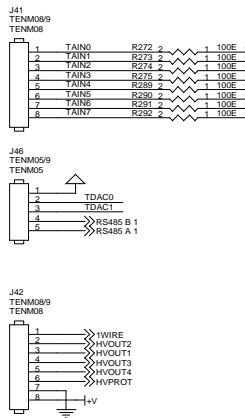
OSCILLATORS

BUZZER

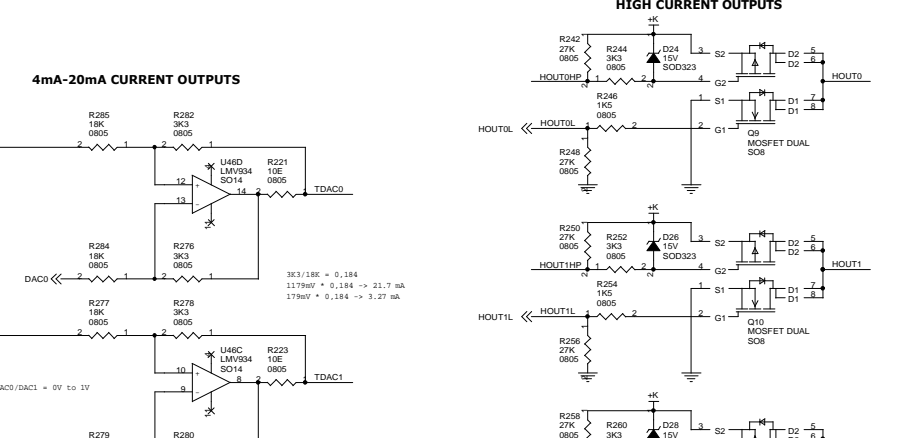
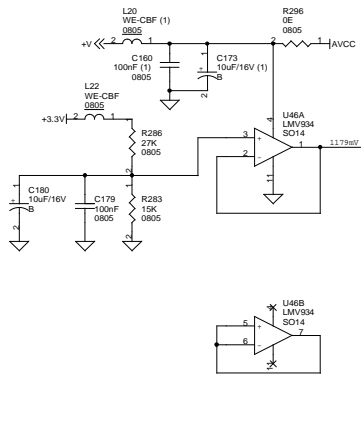
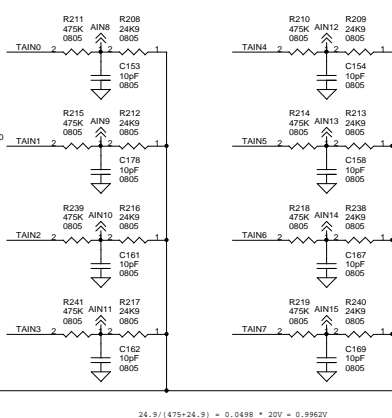
HVOUT

X-GRAPH (a DELCOMp trademark) Technologielaan 3 B-3001 Leuven Design by Rudi De Laet			
XG5000C045 / OP7300			
Size	A3	CAGE Code	DWG NO XG5000C045-R3
Scale		Sheet	5 of 8
Friday, January 08, 2010		Rev	1

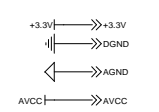
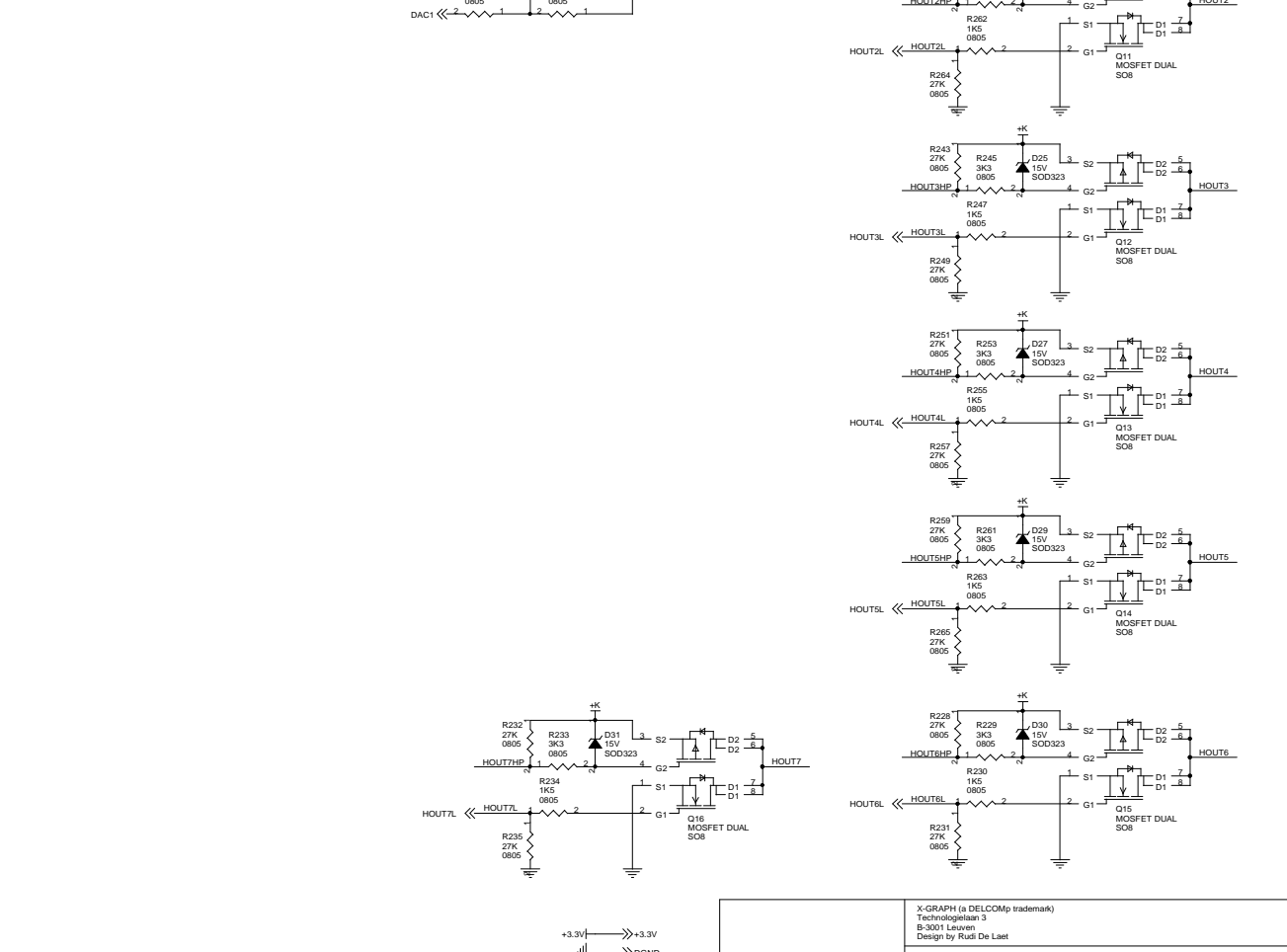
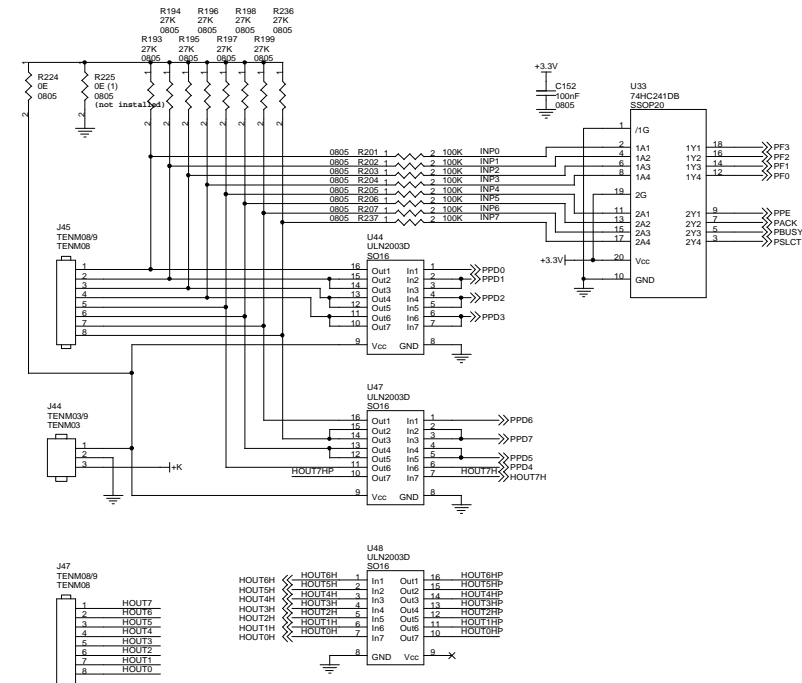
**CONNECTORS**



**ANALOG DIVIDERS**

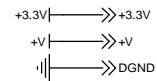


**BUFFERED INPUT/OUTPUTS**

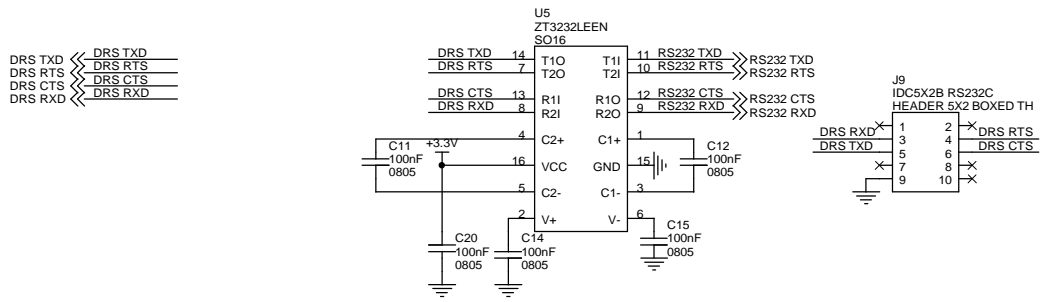


X-GRAPH (a DELCOMp trademark) Technologietaan 3 B-3001 Leuven Design by Rudi De Laet			
XG5000C045 / OP7300			
Size A2	CAGE Code	DWG NO XG5000C045-R3	Rev 1
Scale		Sheet 6	of 8

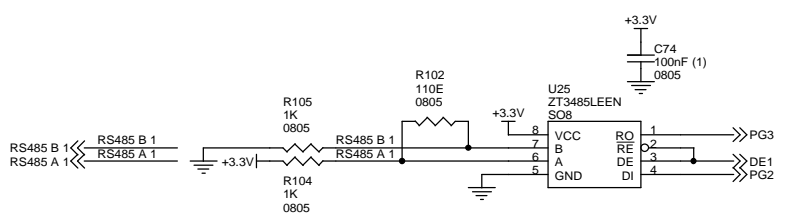
Friday, January 08, 2010



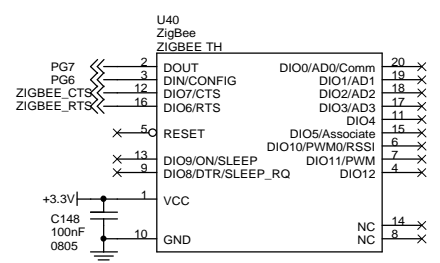
### RS232C



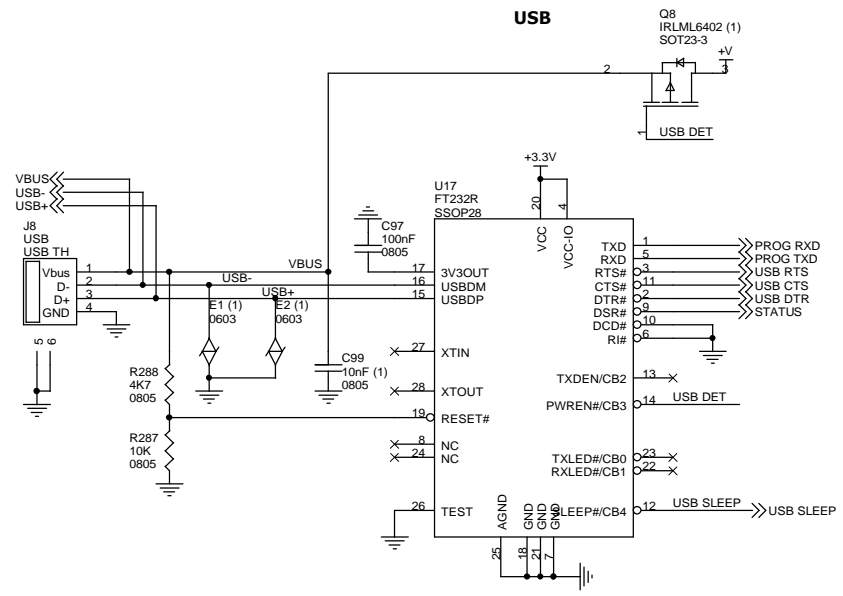
### RS485



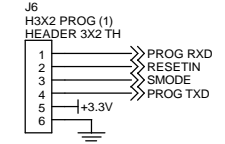
### ZigBee



### USB



### PROGRAMMING HEADER



X-GRAPH (a DELCOMp trademark) Technologielaan 3 B-3001 Leuven Design by Rudi De Laet			
XG5000C045 / OP7300			
Size	CAGE Code	DWG NO	Rev
A3		XG5000C045-R3	1
Friday, January 08, 2010	Scale	Sheet	7 of 8

