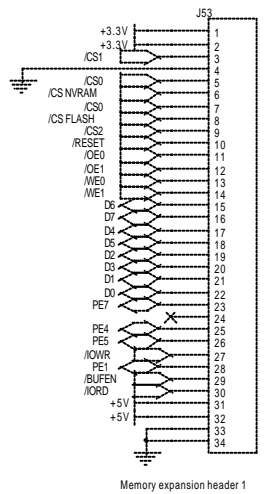
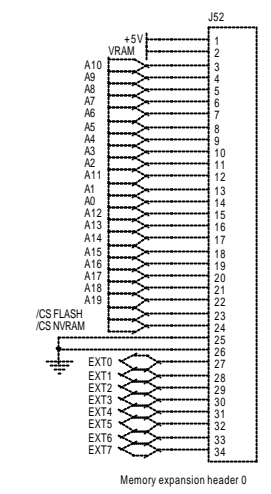
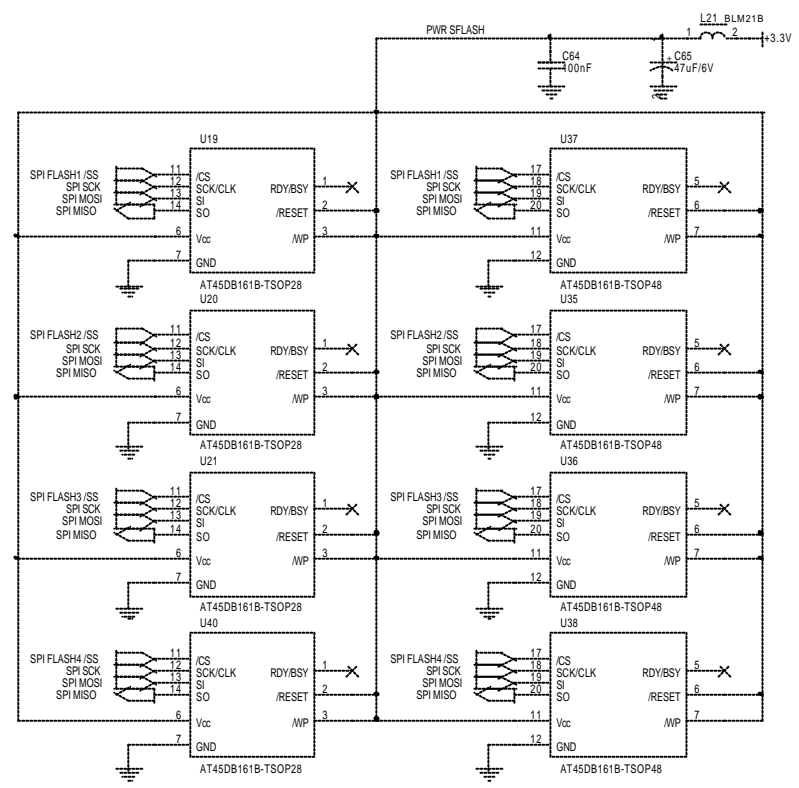
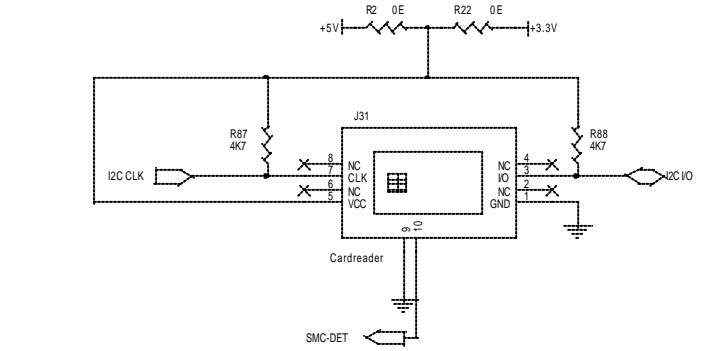
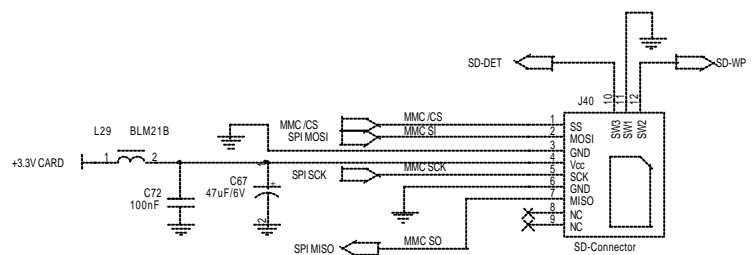
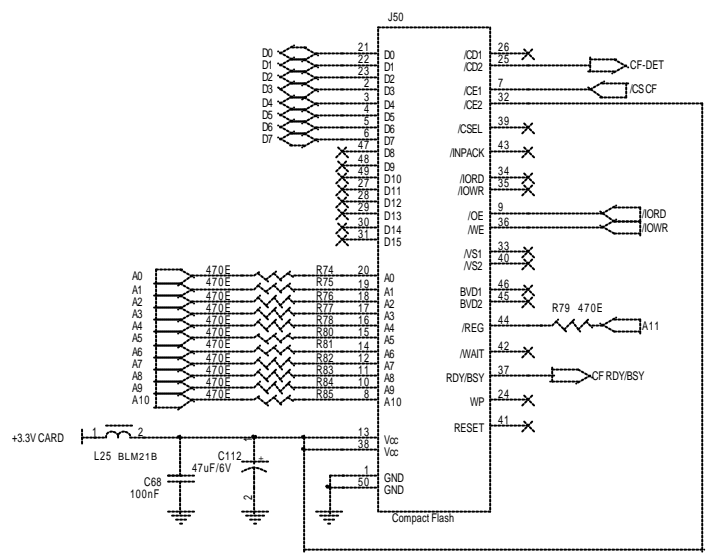
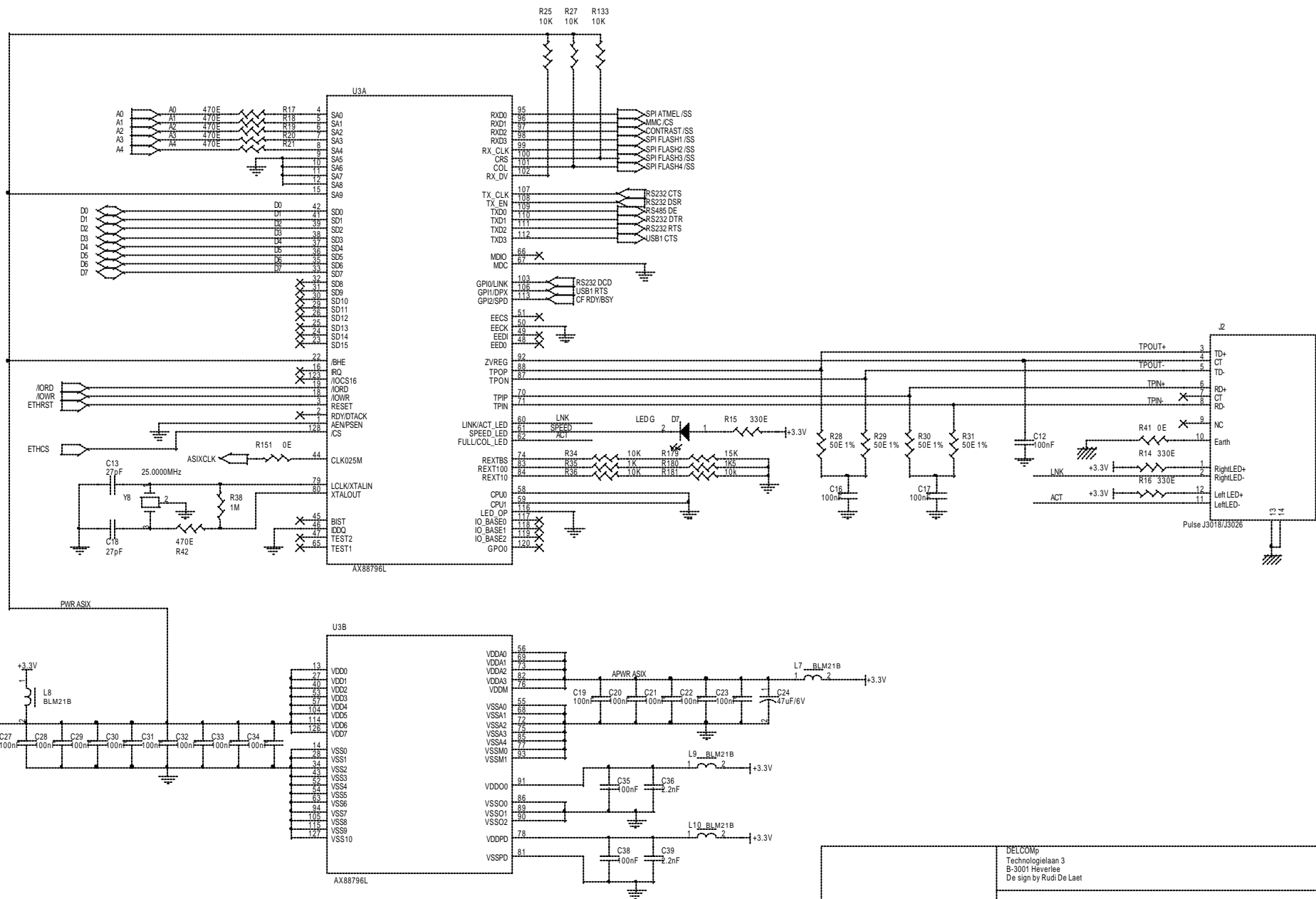


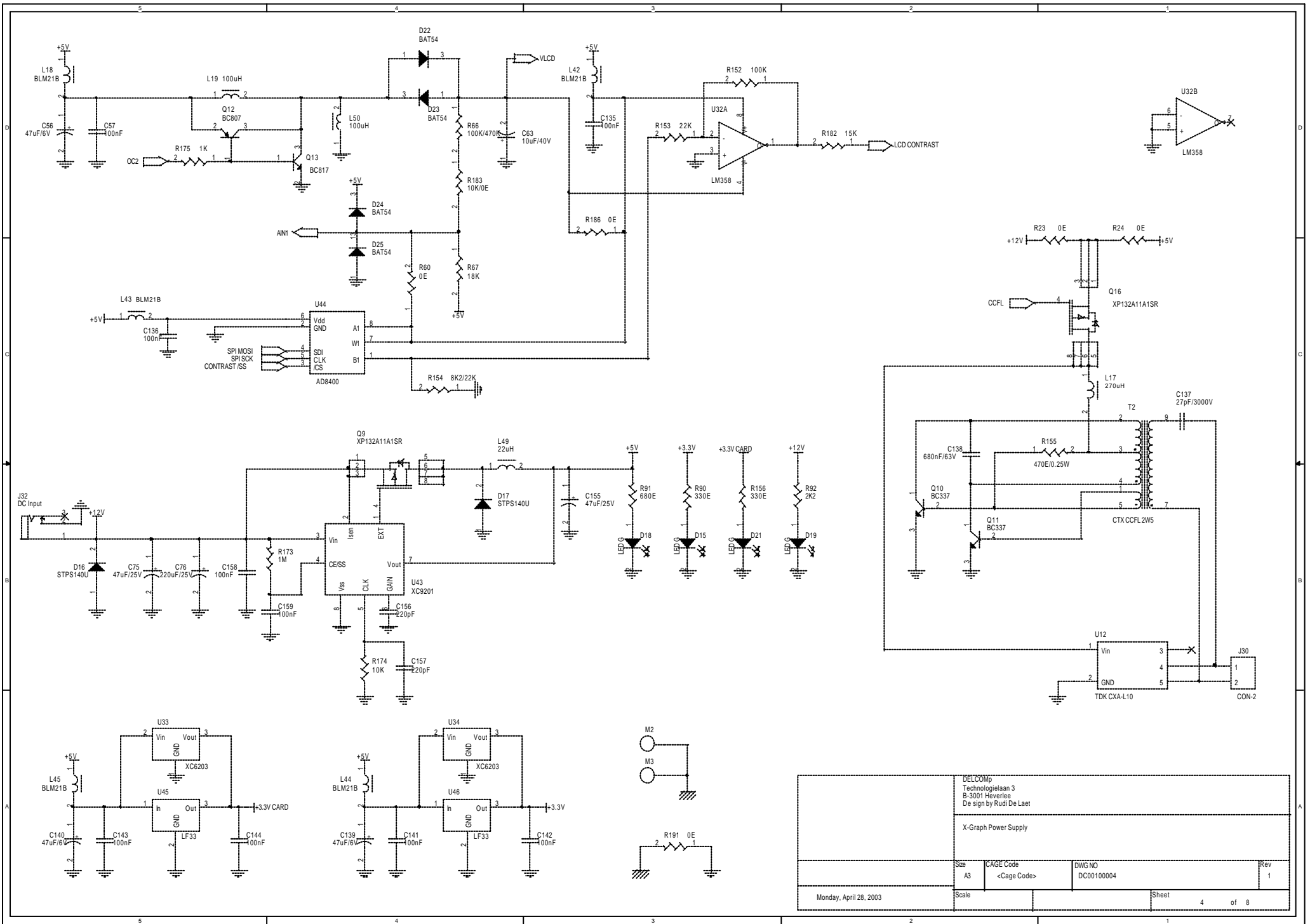
DELCOMp Technologielaan 3 B-3001 Heverlee Design by Rudi De Laet			
X-Graph Display & Touchscreen			
Size	A3	CAGE Code	<Cage Code>
DWG NO	DC00100004		Rev
1		1	
Tuesday, April 29, 2003		Scale	Sheet 1 of 8



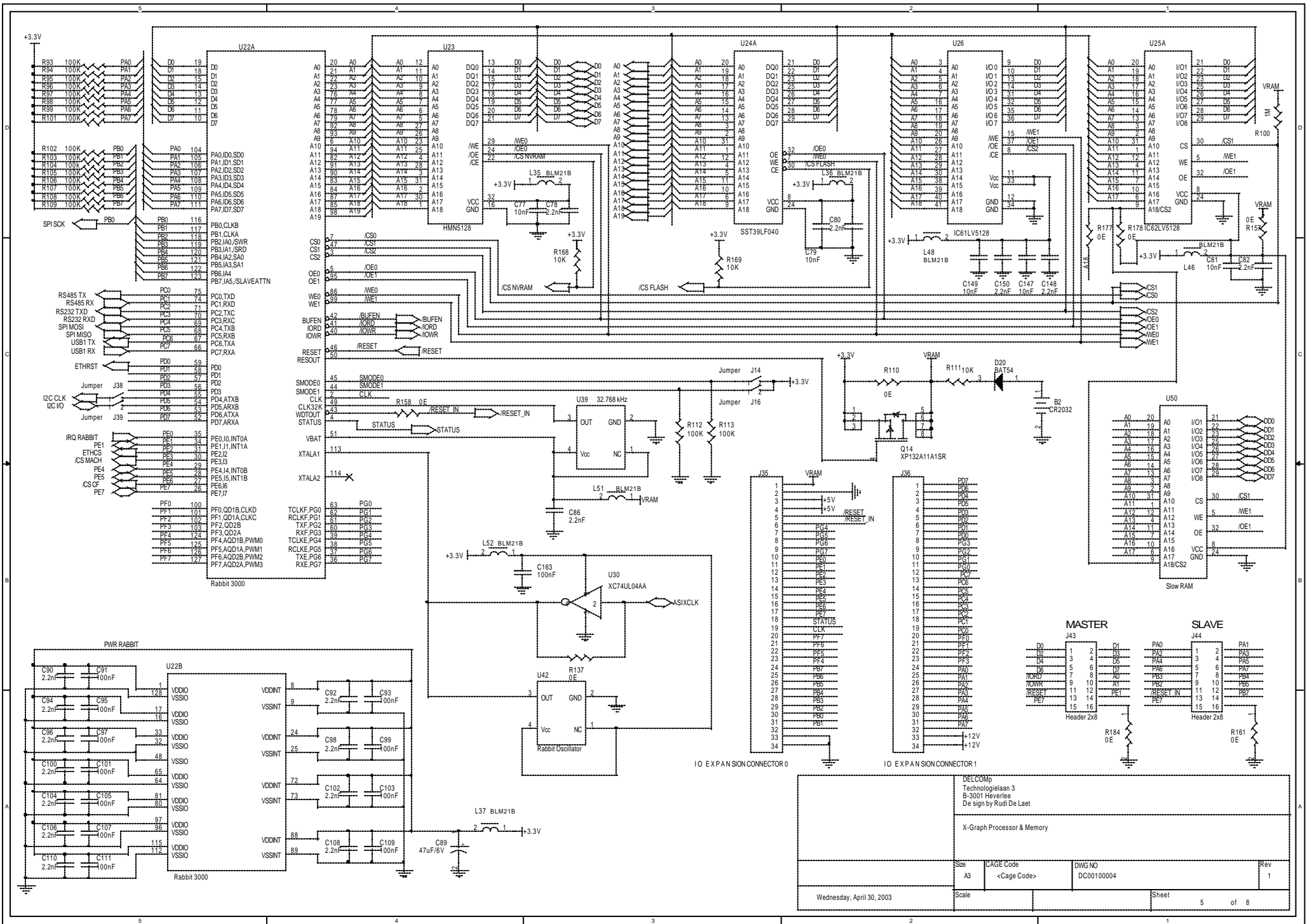
DELCOmp Technologielaan 3 B-3001 Heverlee Design by Rudi De Laet			
X-Graph Memory Extension			
Size	A3	CAGE Code	<Cage Code>
DWG NO	DC00100004		Rev
1			1
Friday, May 09, 2003	Scale	Sheet	2 of 8



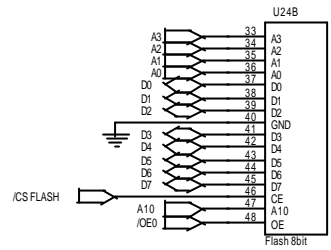
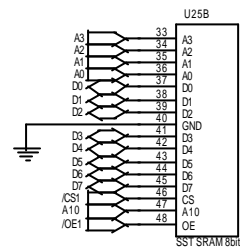
DELCOMP Technologielaan 3 B-3001 Heverlee De sign by Rudi De Laet			
X-Graph Network			
Size	CAGE Code	DWG NO	Rev
A3	<Cage Code>	DC00100004	1
Monday, April 28, 2003	Scale	Sheet	3 of 8



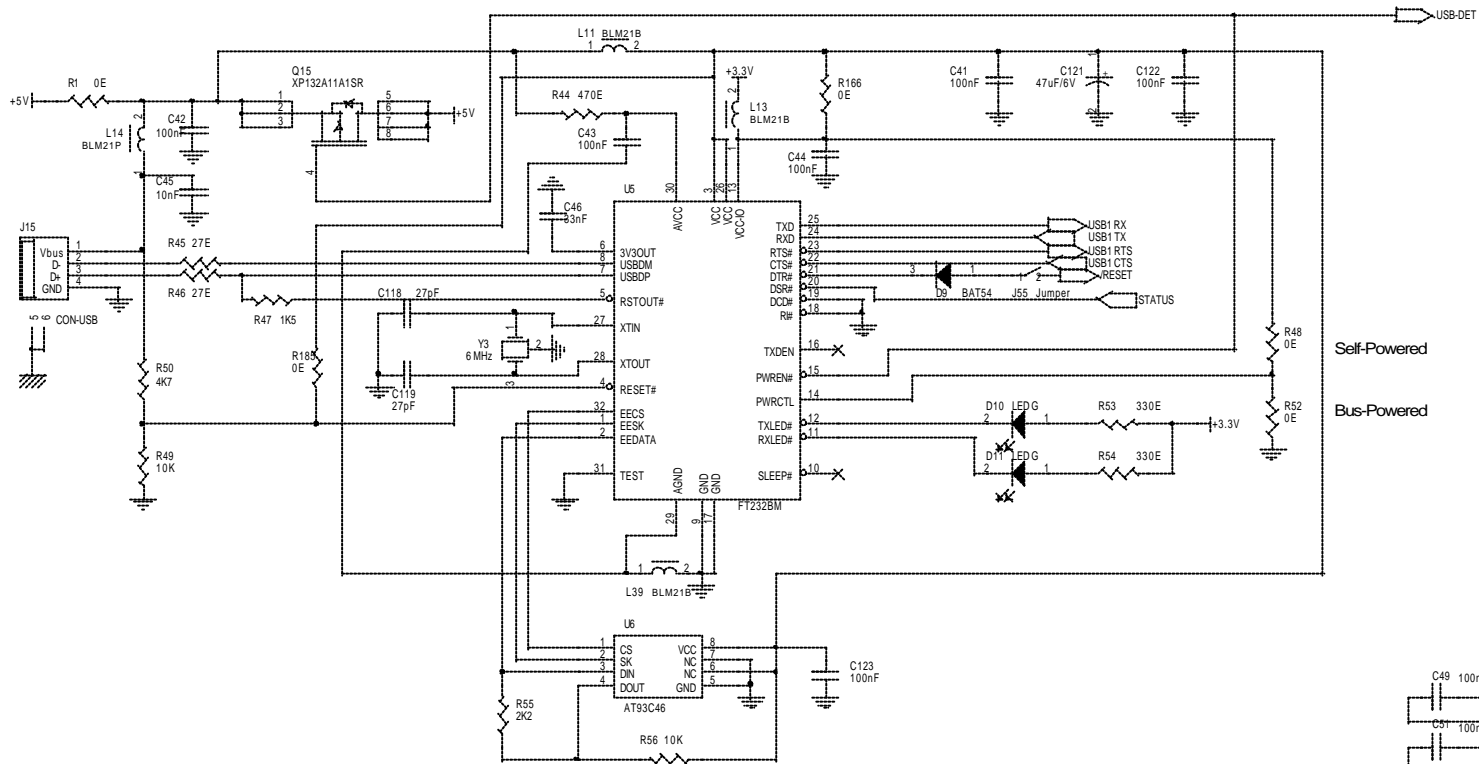
DELCOMP Technologielaan 3 B-3001 Heverlee De sign by Rudi De Laet			
X-Graph Power Supply			
Size	CAGE Code	DWG NO	Rev
A3	<Cage Code>	DC00100004	1
Monday, April 28, 2003	Scale	Sheet	4 of 8



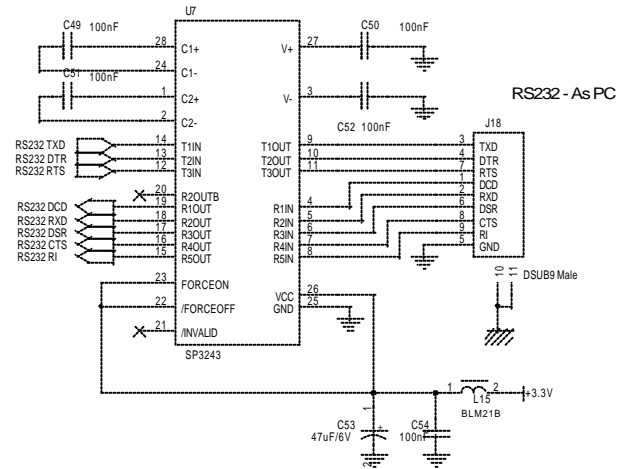
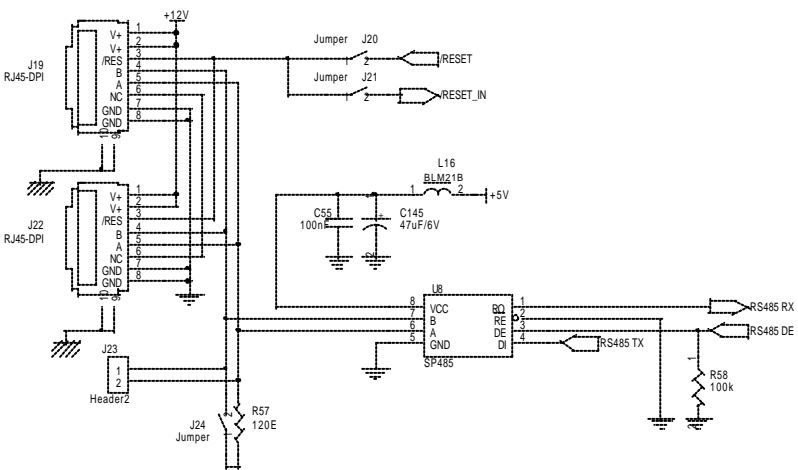
DELCOMP Technologelaan 3 B-3001 Heverlee De sign by Rudi De Laet	
X-Graph Processor & Memory	
Size A3	CAGE Code <Cage Code>
DWG NO DC00100004	Rev 1
Wednesday, April 30, 2003	Sheet 5 of 8



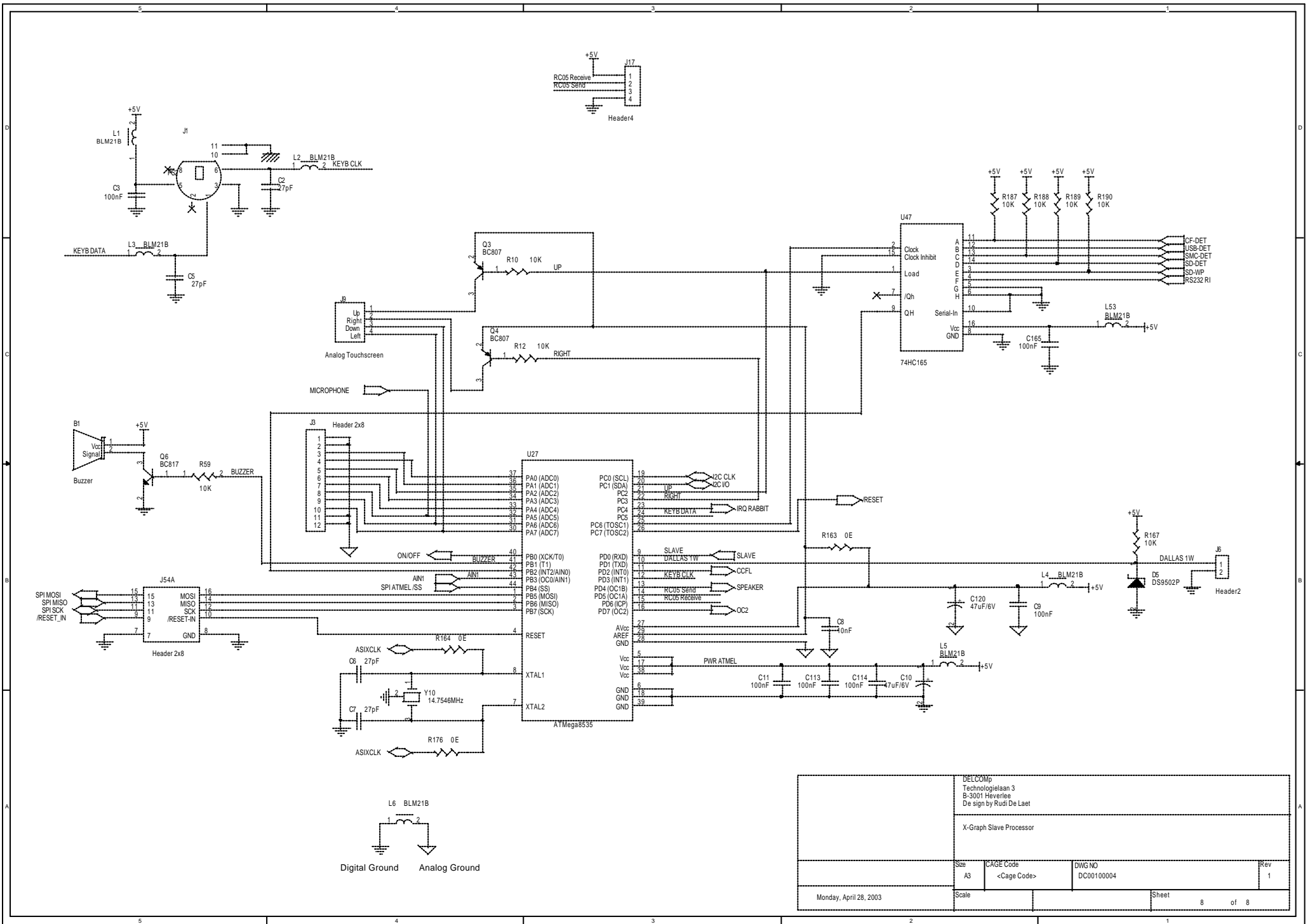
Title			<Title>
Size	Document Number	Rev	
A3	<Doc>	<RevCode>	
Date:	Monday, April 28, 2003	Sheet	6 of 8



Self-Powered
Bus-Powered



DELCOMP Technologielaan 3 B-3001 Heverlee De sign by Rudi De Laet			
X-Graph Serial			
Size	A3	CAGE Code	<Cage Code>
DWG NO	DC00100004		Rev 1
Monday, April 28, 2003	Scale	Sheet 7 of 8	



DELCOMP Technologielaan 3 B-3001 Heverlee De sign by Rudi De Laet			
X-Graph Slave Processor			
Size	CAGE Code	DWG NO	Rev
A3	<Cage Code>	DC00100004	1
Monday, April 28, 2003	Scale	Sheet	8 of 8