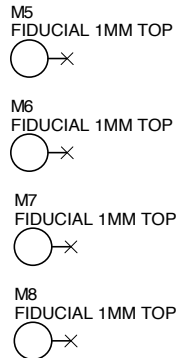
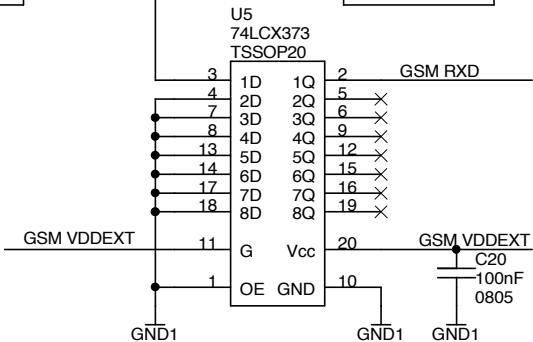
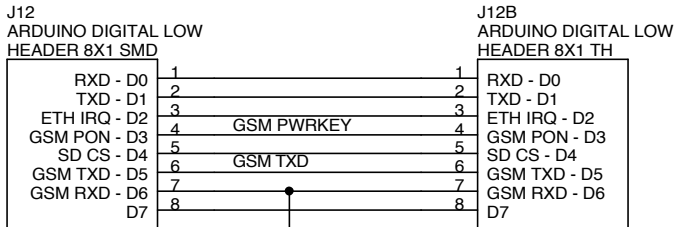
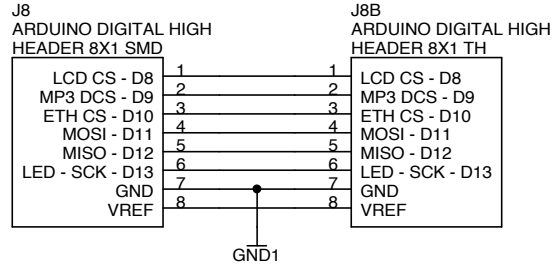
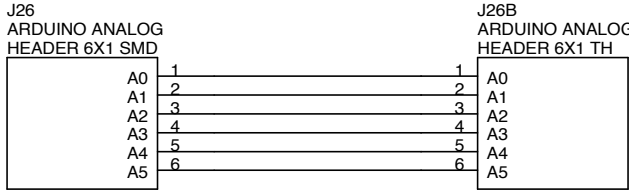
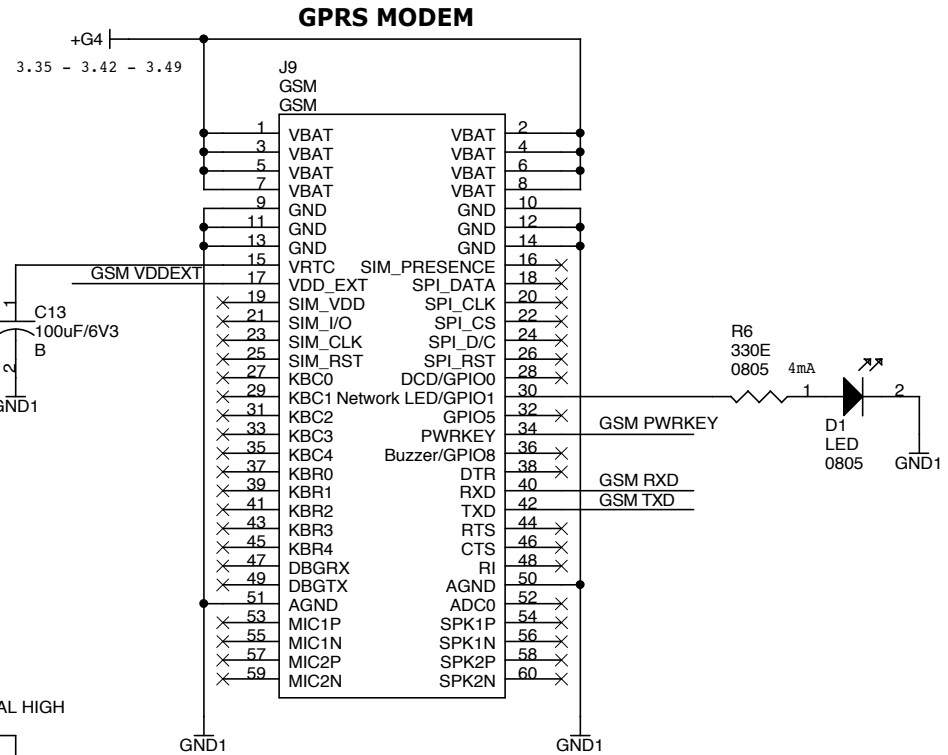
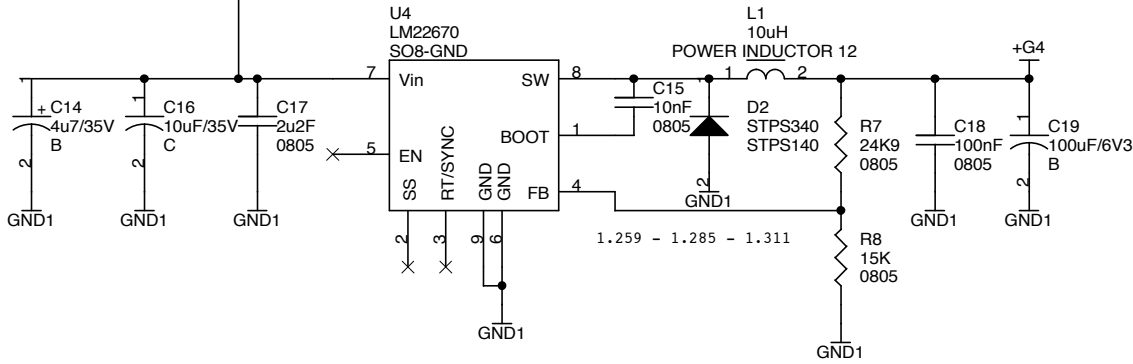


POWER SUPPLY
Input Range: 5 to 32 Volt DC



		X-GRAPH (a DELCOMp trademark) Technologielaan 3 B-3001 Leuven	
		X-Graph Arduino - XG8100 GPRS	
Size	CAGE Code	DWG NO	Rev
A4		XG8100-R3	1
Monday, May 21, 2012		Scale	Sheet 2 of 5