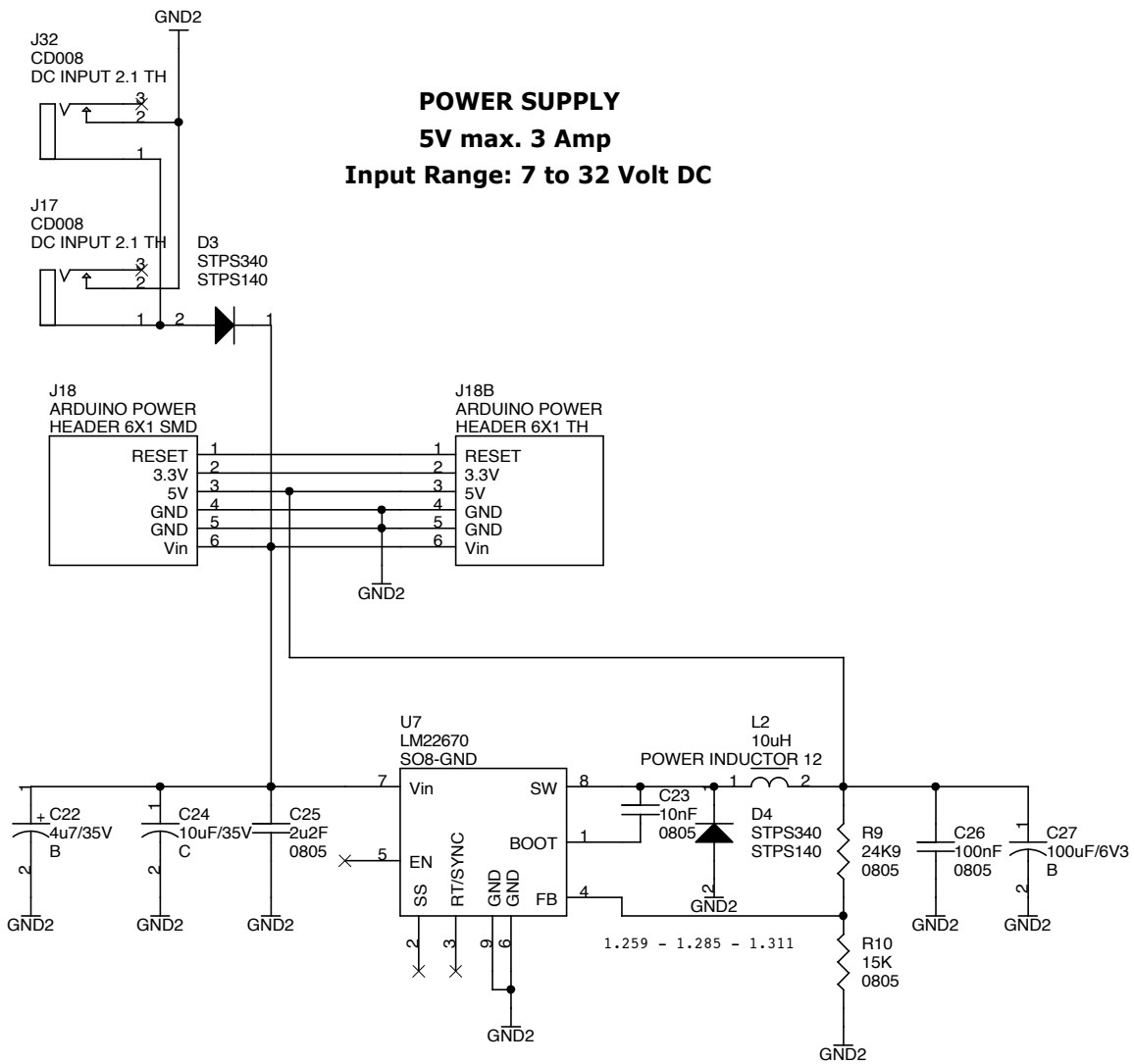
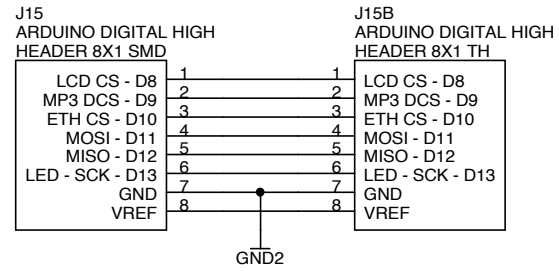


POWER SUPPLY
5V max. 3 Amp
Input Range: 7 to 32 Volt DC



ARDUINO CONNECTOR



- M9
FIDUCIAL 1MM TOP
○→X
- M10
FIDUCIAL 1MM TOP
○→X
- M11
FIDUCIAL 1MM TOP
○→X
- M12
FIDUCIAL 1MM TOP
○→X

		X-GRAPH (a DELCOMp trademark) Technologielaan 3 B-3001 Leuven		
		X-Graph Arduino - XG8200 SMPS		
Size A4	CAGE Code	DWG NO XG8200-R3	Rev 1	
Monday, May 21, 2012		Scale	Sheet 3	of 5